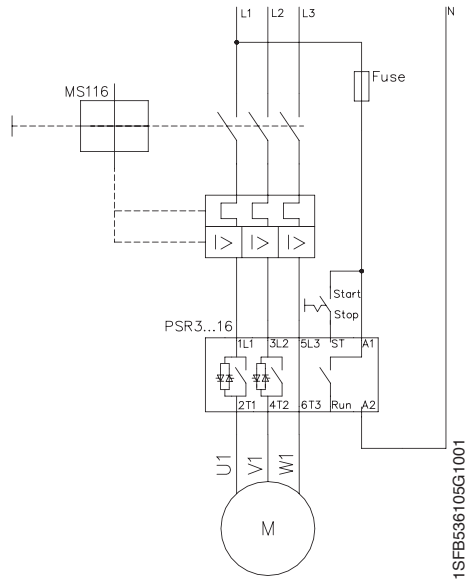


PSR3 ... PSR45

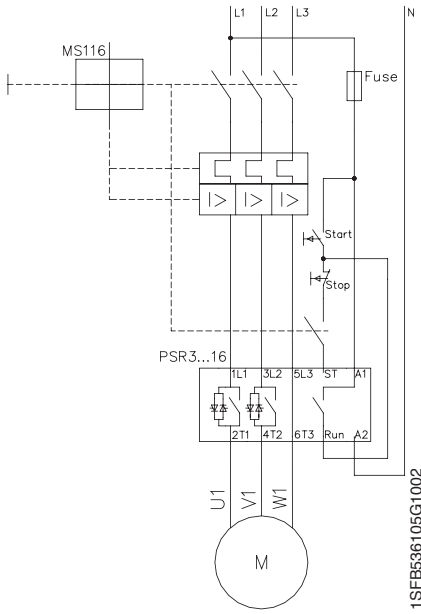
Application diagrams

PSR3 ... 16

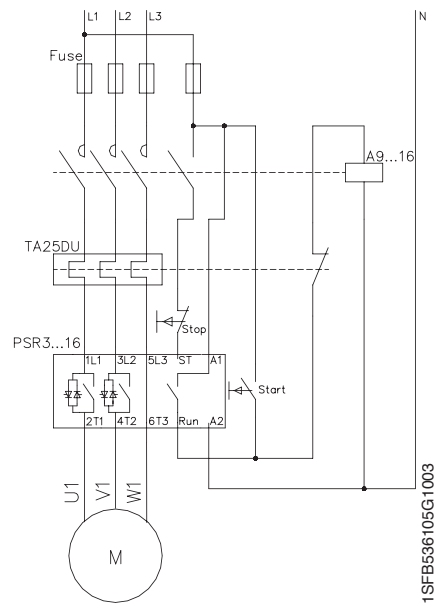
A) With MMS



B) With MMS and auxiliary contact

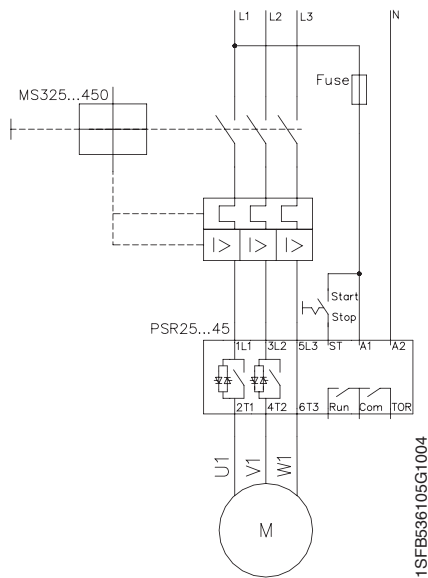


C) With fuses, contactor and O.L.

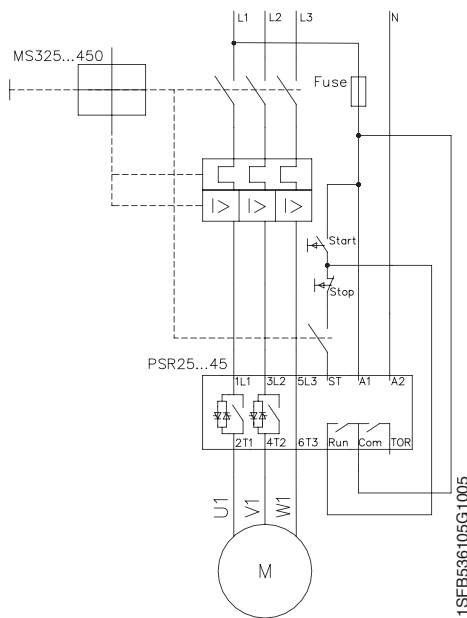


PSR25 ... 45

D) With MMS



E) With MMS and auxiliary contact



F) With fuses, contactor and O.L.

